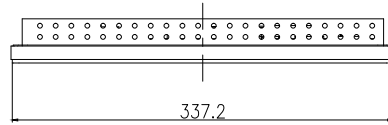


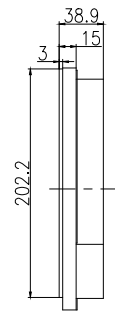
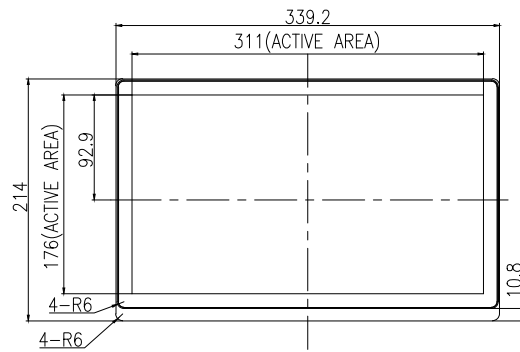
TITLE: H1412P-UH



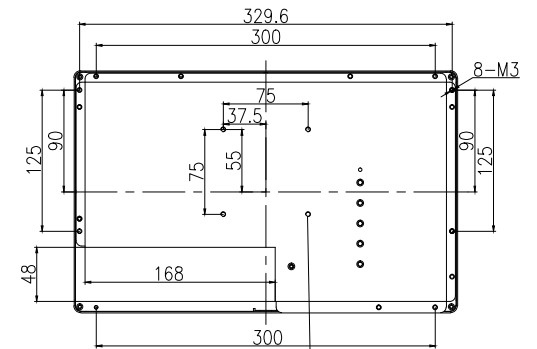
Top View



Side View

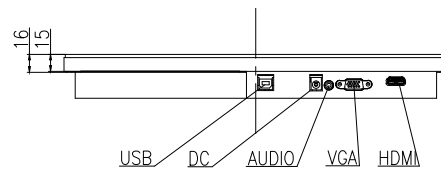


Side View



VESA:M4 THREAD  
MAX:SCREW DEPTH=5mm X4

Back View



Bottom View

DIMENSIONS ARE IN MILLIMETERS

Tolerance: ±1.0mm	DATE: 2018.03.13
SHEET 1 OF 1	REV: 0.1