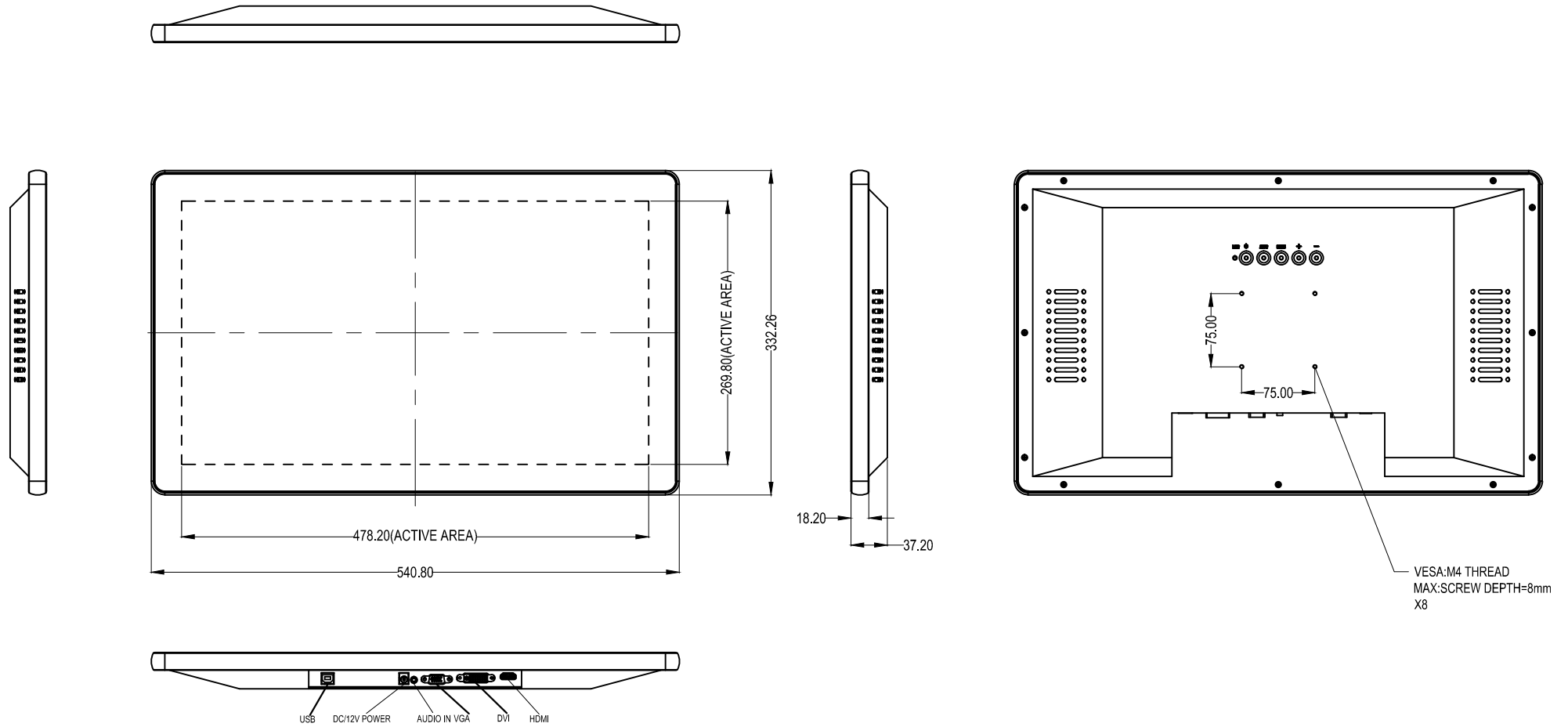



TITLE: H2214PW-UH



Note: The version is preliminary, only for reference.  
The design change please see 



Tolerance: $\pm 1.0\text{mm}$	DATE: 2015.10.29
SHEET 1 OF 1	REV:V0.1

DIMENSIONS ARE IN MILLIMETERS